

Direttiva ATEX 2014/34/EU;

EN60079-1:2014;
EN60079-31:2014
EN60079-0:2012/A11:2013

**PROIETTORE PER LAMPADE
VAPORI DI MERCURIO
VAPORI DI SODIO ALTA PRESSIONE
IODURI METALLICI
ALOGENE
QUARZO
LED**

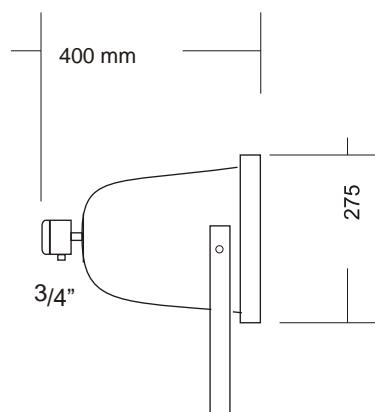
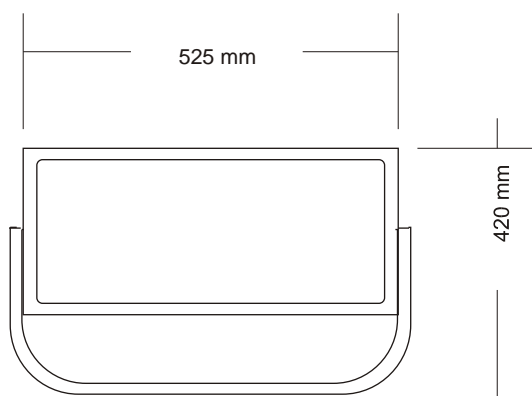
FLD

**FLOODLIGHT
MERCURY VAPOUR LAMP
HIGH PRESSURE SODIUM
METAL HALIDE
HALOGEN
QUARTZ
LED**

ATEX II 2 GD EEx-d II B + H2 T2-T3-T4 CERT.CEC 10 ATEX 146

Fusione in lega leggera Uni 1706 Vetro
frontale in cristallo temperato
Imbocco filettato 3/4" NPT.
Vite di terra interna-esterna
Portalampada in porcellana attacco E 40
Riflettori in alluminio brillantato
Base e supporto in acciaio zincato a caldo
A richiesta
lampada
Reattore 60Hz

Copper free light alloy body UNI 1706
Heat and resistant crystal protection
Threaded hole 3/4" NPT
Internal-external earthing screws.
Porcelain lampholder with E 40 attack
Internal polished aluminium reflector Hot
galvanised steel base and support
Options: lamp
60 Hz Ballast



ITEM CODE	LAMP TYPE	LAMP	TEMPERATURE	TEMPERATURE
		50 Hz - W	CLASS Ta -40°+40°	CLASS Ta -40°+60°
FLD-150MH	Metal Halide	150	T4	T3
FLD-250MH	Metal Halide	250	T4	T3
FLD-400MH	Metal Halide	400	T4	T3
FLD-150HpNA	High Pressure sodium	150	T4	T3
FLD-250HpNA	High Pressure sodium	250	T4	T3
FLD-400HpNA	High Pressure sodium	400	T4	T3
FLD-150Hg	Mercury vapour	150	T4	T3
FLD-250Hg	Mercury vapour	250	T4	T3
FLD-400Hg	Mercury vapour	400	T4	T3
FLD-500IA	Halogen	500	T3	T2
FLD-500IA (Qtz)	Quartz	500	T3	T2

Direttiva ATEX 2014/34/EU;

EN60079-1:2014;

EN60079-31:2014

EN60079-0:2012/A11:2013

PHOTOMETRIC CURVES

FLD-150 MH

FLD-250 HpNA

FLD-250MH

