

CABLE GLANDS DATA SHEET

## DADR RESINABLE CABLE GLANDS



Cable glands are suitable for installation in any areas of a plant where there is a risk of explosion and/or fire, or areas where combustible dust is present, classified as Zone 1, 2, 21, 22.

DADR cable glands are suitable for armoured cable, inner and outer seal, armour grounding.

Suitable for enclosures over 2 litres with sparking equipments.

Installation: outdoors with complete protection of cable armour.

**Installation:**

hazardous areas - Zone 1 / 2 (Gases) - Zone 21 / 22 (Dusts)

**classification:**

Group II - Category 2G 2D

**EN/IEC Rules of compliance:**

EN/IEC 60079-0

EN/IEC 60079-1

EN/IEC 60079-7

EN/IEC 60079-11

EN/IEC 60079-31

**Execution:**

(Ex II 2G) Ex db IIC Gb / Ex eb IIC Gb/ Ex tb IIIC Db – IP66

**Ambient temperature:**

With EPDM rubber form -40°C + 80°C.

With silicon rubber form -50°C + 150°C.

Directive ATEX 2014/34/EU

**Certifications:**

ATEX certificate: CEC 09 ATEX 023X

**Mechanical features:**

Material:

- Brass (nickel plated brass);
- Stainless steel AISI-316L.

O-rings: silicon rubber.

Rubber rings:

- EPDM, for standard cable glands;
- Silicon rubber (on request).

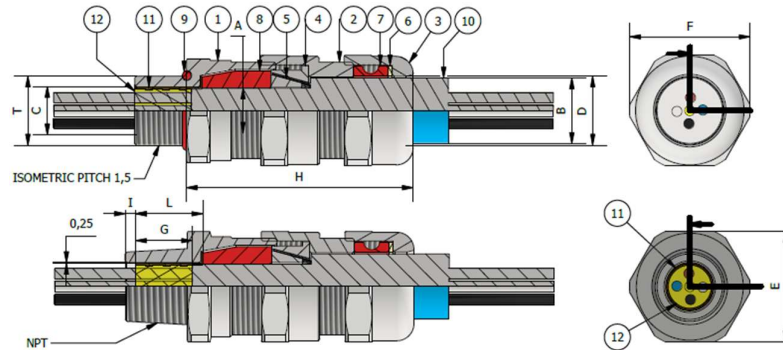
Washer: nylon 6.

**On request accessories:**

PCV shroud (PTD), locknuts (DL), gasket (NW), serrated washer, earth tag (ET).

### CABLE GLANDS DATA SHEET DADR FOR ARMoured CABLE

ITEM	Q.TY	DESCRIPTION	ITEM	Q.TY	DESCRIPTION
1	1	BODY	6	1	ANTI RUBBING WASHER
2	1	GLAND BARREL	7	1	OUTER SEALING RING
3	1	GLAND NUT	8	1	INNER SEALING RING
4	1	ARMOUR CLAMPING RING	9	1	O-RING ONLY FOR METRICAL
5	1	ARMOUR CLAMPING CONE	10	1	ARMoured CABLE
			11	1	SEALING CHAMBER



CODE	SIZE	THREADS	A (mm)	B (mm)	C	D	E	F	G	H	I	L
DADR 0 M16	0	M16x1.5	Min. 4 - Max. 10	Min. 7 - Max. 15	11	16	24	26	15.5	53	0	18.5
DADR 0 M20*	0	M20x1.5	Min. 4 - Max. 10	Min. 7 - Max. 15	11	16	24	26	15.5	53	0	18.5
DADR 0 NPT	0	NPT 3/8"	Min. 4 - Max. 10	Min. 7 - Max. 15	11	16	24	26	15.5	53	0	18.5
DADR 0 NPT1*	0	NPT 1/2"	Min. 4 - Max. 10	Min. 7 - Max. 15	11	16	24	26	15.5	53	2,5	18.5
DADR1 M20	1	M20x1.5	Min. 5,5 - Max. 13	Min. 10 - Max. 19	14	20	32	35	16.5	65	0	19.5
DADR 1 M25*	1	M25x1.5	Min. 5,5 - Max. 13	Min. 10 - Max. 19	14	20	32	35	16.5	65	0	19.5
DADR 1 NPT	1	NPT 1/2"	Min. 5,5 - Max. 13	Min. 10 - Max. 19	14	20	32	35	16.5	65	3	19.5
DADR 1 NPT2*	1	NPT 3/4"	Min. 5,5 - Max. 13	Min. 10 - Max. 19	14	20	32	35	16.5	65	3	19.5
DADR 2 M25	2	M25x1.5	Min. 10.5 - Max. 18	Min. 15 - Max. 24	19	25	36	39	16.5	65	0	19.5
DADR 2 NPT	2	NPT 3/4"	Min. 10.5 - Max. 18	Min. 15 - Max. 24	19	25	36	39	16.5	65	3	19.5
DADR 3 M32	3	M32x1.5	Min. 15 - Max. 24	Min. 20 - Max. 31	25	32	45	49	16.5	82	0	19.5
DADR 3 NPT	3	NPT 1"	Min. 15 - Max. 24	Min. 20 - Max. 31	25	32	45	49	16.5	82	8	19.5
DADR 4 M40	4	M40x1.5	Min. 21 - Max. 30	Min. 26 - Max. 37	31	38	50	55	17.5	83	0	20.5
DADR 4 NPT	4	NPT 1"1/4	Min. 21 - Max. 30	Min. 26 - Max. 37	31	38	50	55	17.5	83	8	20.5
DADR 5 M50	5	M50x1.5	Min. 24 - Max. 36	Min. 31 - Max. 43	37	44	61	65	17.5	83	0	20.5
DADR 5 NPT	5	NPT 1"1/2	Min. 24 - Max. 36	Min. 31 - Max. 43	37	44	61	65	17.5	83	8	20.5
DADR 6 M63	6	M63x1.5	Min. 36 - Max. 45	Min. 42 - Max. 53	47	54	70	75	17.5	83	0	20.5
DADR 6 NPT	6	NPT 2"	Min. 36 - Max. 45	Min. 42 - Max. 53	47	54	70	75	17.5	83	8	20.5

(\*) Special Body thread

CABLE GLANDS ORDERING EXAMPLE: **DADR1MON**  
**DADR5NIX**

<b>DADR</b>	<b>1M</b>	<b>ON</b>
type of cable gland	size	material
armoured cable	M20	nickel plated brass

<b>DADR</b>	<b>5N</b>	<b>IX</b>
type of cable gland	size	material
armoured cable	1"1/2NPT	stainless steel