

CABLE GLANDS DATA SHEET

DNR CABLE GLANDS



Cable glands are suitable for installation in any areas of a plant where there is a risk of explosion and/or fire, or areas where combustible dust is present, classified as Zone 1, 2, 21, 22.
DNR cable glands are suitable for unarmoured cable, outer sea.
Suitable for enclosures over 2 litres whit sparking equipments.
Installation: indoors and outdoors.

Installation:

hazardous areas - Zone 1 / 2 (Gases) - Zone 21 / 22 (Dusts)

classification:

Group II - Category 2G 2D

EN/IEC Rules of compliance:

EN/IEC 60079-0

EN/IEC 60079-1

EN/IEC 60079-7

EN/IEC 60079-11

EN/IEC 60079-31

Ambient temperature:

With EPDM rubber form -40°C + 80°C.

With silicon rubber form -50°C + 150°C.

Directive ATEX 2014/34/EU

Certifications:

ATEX certificate: CEC 09 ATEX 023X.

Mechanical features:

Material:

- Brass (nickel plated brass);
- Stainless steel AISI-316L.

O-rings: silicon rubber.

Rubber rings:

- EPDM, for standard cable glands;
- Silicon rubber (on request).

Washer: nylon 6.

Execution:

(Ex II 2G) Ex db IIC Gb / Ex eb IIC Gb/ Ex tb IIIC Db – IP66

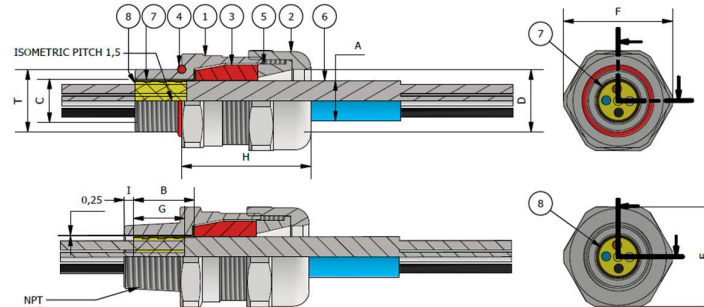
On request accessories:

PCV shroud (PTD), locknuts (DL),
gasket (NW), serrated washer.
earth tag (ET).

CABLE GLANDS DATA SHEET

DNR FOR UNARMoured CABLE

ITEM	Q.TY	DESCRIPTION
1	1	BODY
2	1	GLAND NUT
3	1	INNER SEALING RING
4	1	O-RING ONLY FOR METRICAL
5	1	RUBBER PRESS RING
6	1	UNARMoured CABLE
7	1	SEALING CHAMBER



CODE	SIZE	THREADS	A (mm)	B (mm)	C	D	E	F	G	H	I
DNB 0 M16	0	M16x1.5	Min. 4 - Max. 10	18.5	11	16	24	26	15.5	33	0
DNB 0 M20*	0	M20x1.5	Min. 4 - Max. 10	18.5	11	16	24	26	15.5	33	0
DNB 0 NPT	0	NPT 3/8"	Min. 4 - Max. 10	18.5	11	16	24	26	15.5	33	0
DNB 0 NPT1*	0	NPT 1/2"	Min. 4 - Max. 10	18.5	11	16	24	26	15.5	33	2,5
DNB 1 M20	1	M20x1.5	Min. 5,5 - Max. 13	19.5	14	20	32	35	16.5	41	0
DNB 1 M25*	1	M25x1.5	Min. 5,5 - Max. 13	19.5	14	20	32	35	16.5	41	0
DNB 1 NPT	1	NPT 1/2"	Min. 5,5 - Max. 13	19.5	14	20	32	35	16.5	41	3
DNB 1 NPT2*	1	NPT 3/4"	Min. 5,5 - Max. 13	19.5	14	20	32	35	16.5	41	3
DNB 2 M25	2	M25x1.5	Min. 10.5 - Max. 18	19.5	19	25	36	39	16.5	41	0
DNB 2 NPT	2	NPT 3/4"	Min. 10.5 - Max. 18	19.5	19	25	36	39	16.5	41	3
DNB 3 M32	3	M32x1.5	Min. 15 - Max. 24	19.5	25	32	45	49	16.5	52	0
DNB 3 NPT	3	NPT 1"	Min. 15 - Max. 24	19.5	25	32	45	49	16.5	52	8
DNB 4 M40	4	M40x1.5	Min. 21 - Max. 30	20.5	31	38	50	55	17.5	53	0
DNB 4 NPT	4	NPT 1"1/4	Min. 21 - Max. 30	20.5	31	38	50	55	17.5	53	8
DNB 5 M50	5	M50x1.5	Min. 24 - Max. 36	20.5	37	44	61	65	17.5	53	0
DNB 5 NPT	5	NPT 1"1/2	Min. 24 - Max. 36	20.5	37	44	61	65	17.5	53	8
DNB 6 M63	6	M63x1.5	Min. 36 - Max. 45	20.5	47	54	70	75	17.5	53	0
DNB 6 NPT	6	NPT 2"	Min. 36 - Max. 45	20.5	47	54	70	75	17.5	53	8

(*) Special Body thread

CABLE GLANDS ORDERING EXAMPLE: **DNR1MON**
DNR5NIX

DNR	1M	ON
type of cable gland	size	material
unarmoured cable	M20	nickel plated brass

DNR	5N	IX
type of cable gland	size	material
unarmoured cable	1"1/2NPT	stainless steel