

EJB DATA SHEET

EJB ENCLOSURES



EJB series junction boxes are suitable for installation in any areas of a plant where there is a risk of explosion and/or fire, or areas where combustible dust is present, classified as Zone 1, 2, 21, 22.

Installation:

hazardous areas - Zone 1 / 2 (Gases) - Zone 21 / 22 (Dusts)

classification:

Group II - Category 2G 2D

EN/IEC Rules of compliance:

EN/IEC 60079-0

EN/IEC 60079-1

EN/IEC 60079-11

EN/IEC 60079-31

Execution:

(Ex II 2G) Ex db IIA or IIB or IIB+H2 T6÷T3

(Ex II 2G) Ex db [ia/ib IIA or IIB or IIC Ga] IIA or IIB or IIB+H2 T6

(Ex II 2D) Ex tb IIIC T85°C÷T200°C

(Ex II 2D) Ex tb [ia Da/ib] IIIC T85°

Ambient temperature:

-55°C/-40°C - +60°C/+80°C

Directive ATEX 2014/34/EU

Certifications:

ATEX component certificate: CEC 10 ATEX 162U

ATEX full compliance certificate: AR16 ATEX 071

IECEx component certificate: in progress

IECEx full compliance certificate: in progress

Mechanical features:

Control and signalling enclosures are driven by external operators (switch handles, push button, pilot light and mushroom operators).

Copper free light alloy body with flat and flanged cover fixed by stainless steel screws.

Cast mounting bracket or aluminium bracket

Internal-external earthing screws.

Grey RAL7001 external epoxy painting.

On request:

Hinged cover.

Anti-condensation coating.

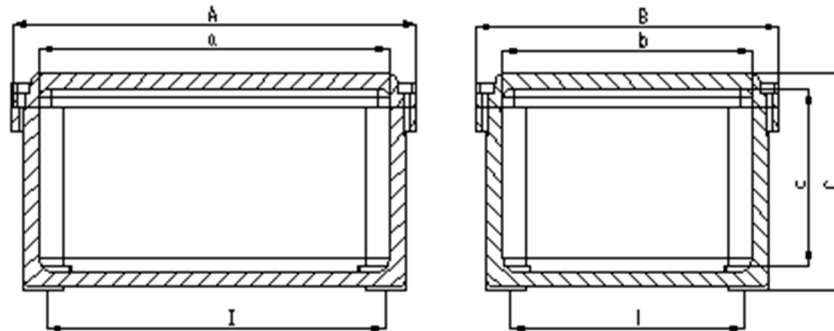
External epoxy paint on request.

Drain and breather valves.

Glass window on cover.

EJB DATA SHEET

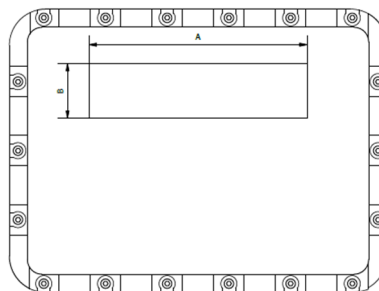
Mechanical features



TYPE	A	B	C	a	b	c	D	l	i	INT. PLATE (mm)	WEIGHT (Kg)
EJB1	268	185	110	216	130	90	M5	224	155	//	5,7
EJB1A	268	185	92	216	130	130	M5	224	155	//	5,7
EJB-2	255	185	160	200	130	130	M8	200	130	190x125	6,9
EJB-3	320	210	205	260	150	165	M8	260	150	250x140	11,5
EJB-4	370	260	210	310	200	165	M8	305	195	300x190	15,6
EJB-6	485	325	225	420	260	180	M10	408	255	400x240	27,6
EJB-8	520	390	275	450	320	220	M10	435	300	430x295	41
EJB-10	630	430	315	550	350	240	M10	535	340	535x335	55
EJB-10A	630	430	245	550	350	170	M10	535	340	535x335	47
EJB-11*	725	540	352	623	438	294	Ø13	732	420	600x410	103
EJB-11A*	725	540	272	623	438	214	Ø13	732	420	600x410	92
EJB-12*	915	540	355	813	438	295	Ø13	918	426	785x410	128

* Cast mounting bracket

Glass window on cover dimensions:



WINDOWS TYPE	ENCLOSURES TYPE										DIMENSIONS	
	EJB1	EJB1A	EJB2	EJB3	EJB4	EJB6	EJB8	EJB10	EJB11	EJB12	A (mm)	B (mm)
F1			X	X	X	X	X	X	X	X	60	60
F2			X	X	X	X	X	X	X	X	75	75
F3					X	X	X	X	X	X	150	75
F4						X	X	X	X	X	150	150
F5						X	X	X	X	X	205	75
F6						X	X	X	X	X	300	75
F7							X	X	X	X	300	150
F8									X	X	300	300
F9										X	450	300

Ineltec S.r.l.

Via Toscanini n.17 - 20004 Arluno (MI)

Tel: +39 02 901 5051

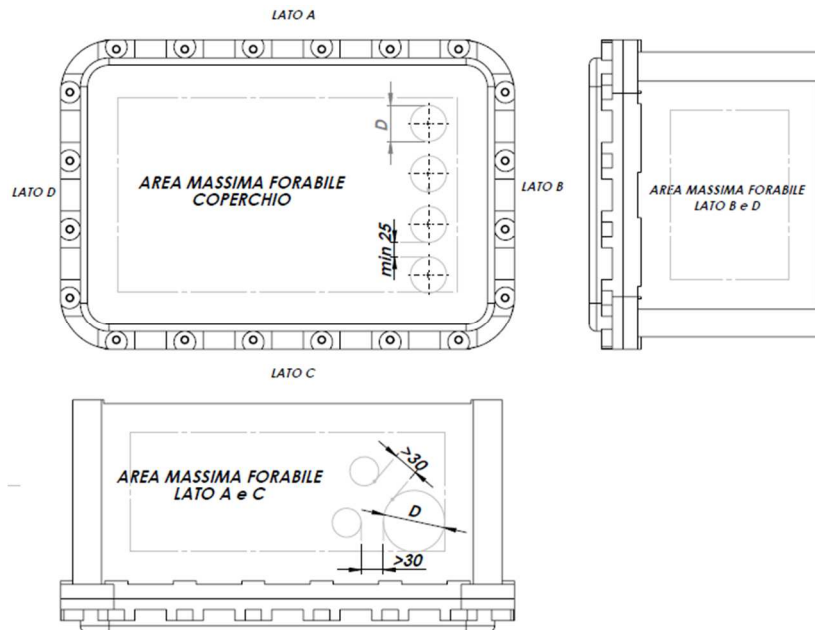
Technical data subject to change without information

Email: info@ineltec-srl.com

Sito web: www.ineltec-srl.com

EJB DATA SHEET

Maximum quantity of threads holes per enclosures side and cover:



ENCLOSURE TYPE	DRILLED AREA (mm)	MAXIMUM QUANTITY OF THREAD HOLES ON THE COVER FROM SIZE 1 TO SIZE 4
EJB1	170X85	4
EJB1A	170X85	4
EJB2	155X85	6
EJB3	210X100	8
EJB4	280X170	18
EJB6	370X228	28
EJB8	350X240	35
EJB10	460X280	42
EJB10A	160X280	42
EJB11	550X370	46
EJB11A	550X370	46
EJB12	720X370	54

EJB DATA SHEET

ENCLOSURE TYPE	DRILLED AREA (mm)	MAXIMUM QUANTITY OF THREAD HOLES LONG SIDE (A-C)								
		THREAD HOLES SIZE								
		1	2	3	4	5	6	7	8	10
		M20 1/2"NPT	M25 3/4"NPT	M32 1"NPT	M40 1"1/4 NPT	M50 1"1/2NPT	M36 2"NPT	M75 2"1/2NPT	M90 3"NPT	M100 4"NPT
EJB1	85X60	4	2	2	1	//	//	//	//	//
EJB1A	85X60	6	4	3	2	1	//	//	//	//
EJB2	85X80	8	4	4	3	2	1	1	//	//
EJB3	100X100	11	6	6	5	4	2	2	1	//
EJB4	170X130	12	8	6	6	6	3	2	2	1
EJB6	210X140	18	12	10	9	9	5	3	2	2
EJB8	240X140	24	18	14	13	12	5	5	3	2
EJB10	280X180	32	28	18	15	14	8	6	3	2
EJB10A	280X120	29	25	15	13	11	5	3	1	//
EJB11	370X150	38	24	22	18	18	10	8	4	3
EJB11A	370X90	35	20	19	15	15	8	6	2	1
EJB12	370X160	54	48	21	25	23	14	10	6	5

ENCLOSURE TYPE	DRILLED AREA (mm)	MAXIMUM QUANTITY OF THREAD HOLES SHORT SIDE (B-D)								
		THREAD HOLES SIZE								
		1	2	3	4	5	6	7	8	10
		M20 1/2"NPT	M25 3/4"NPT	M32 1"NPT	M40 1"1/4 NPT	M50 1"1/2NPT	M36 2"NPT	M75 2"1/2NPT	M90 3"NPT	M100 4"NPT
EJB1	85X60	2	2	1	//	//	//	//	//	//
EJB1A	85X60	4	3	2	1	1	//	//	//	//
EJB2	85X80	6	4	4	2	2	1	1	//	//
EJB3	100X100	11	6	6	5	4	2	2	1	//
EJB4	170X130	6	4	4	2	2	1	1	1	//
EJB6	210X140	12	8	6	6	6	3	2	2	1
EJB8	240X140	16	16	9	9	8	4	4	3	1
EJB10	280X180	18	18	10	10	10	5	5	4	2
EJB10A	280X120	15	15	8	8	8	3	3	1	//
EJB11	370X150	24	24	15	12	12	6	6	4	2
EJB11A	370X90	20	20	12	10	10	4	4	2	//
EJB12	370X160	24	24	15	12	12	6	6	4	2

EJB DATA SHEET
Indicative quantity of terminals and relevant section

ENCLOSURE TYPE	MAXIMUM NUMBER OF TERMINALS USED								
	2,5 [sq/mm]	4 [sq/mm]	6 [sq/mm]	10 [sq/mm]	16 [sq/mm]	35 [sq/mm]	70 [sq/mm]	120 [sq/mm]	240 [sq/mm]
EJB 1	30	26	21	15	12	10	3	//	//
EJB 1A	30	26	21	15	12	10	3	//	//
EJB 2	30	26	21	15	12	10	3	//	//
EJB 3	30	25	20	14	12	9	7	5	1
EJB 4	3x38	3x35	3x28	3x23	2x21	14	6	4	3
EJB 6	3x48	3x38	3x30	3x29	3x25	2x18	13	6	5
EJB 8	3x70	3x65	3x50	3x35	3x25	2x20	20	10	8
EJB 10	3x80	3x70	3x60	3x50	3x40	2x28	22	10	8
EJB 10A	3x80	3x70	3x60	3x50	3x40	2x28	22	10	8
EJB 11	3x110	4x80	3x70	3x56	3x46	3x34	2x24	13	12
EJB 11A	3x110	4x80	3x70	3x56	3x46	3x34	2x24	13	12
EJB 12	3x140	3x115	3x90	3x70	3x60	3x44	2x32	2x20	2x14